

WATTS VAL-KIT

PICV Kit for Fan Coil Units

Series WATTS VAL-Kit is designed for providing optimal hydronic balance in cooling and heating system with variable flow. WATTS PICV controls the flow which avoids both overflowing & efficiency reduction of the unit. WATTS VAL-Kit has a very compact design which includes dynamic flow, pressure and temperature control valves with isolation, flushing, draining and measurement components within a pre-assembled, tested, and ready to install terminal bypass unit.

Features

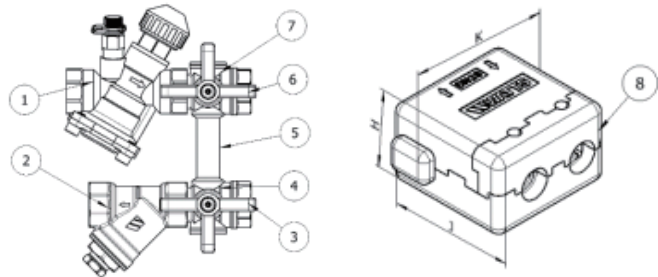
- Ease & fast insulation and maintenance.
- Very compact design.
- Efficient control of flow, temperature & pressure.
- Actuator options: On/off and modulating
- It can be supplied with flexible hoses & EPP insulation.
- Connection: Threaded ends
- Easy flushing, draining & bypass
- BSRIA tested PICVs.

Pressure –Temperature

- Temperature Range: -10~100 °C
- Nominal Pressure: PN20
- Suitable media: Cold/hot water, 50% ethylene glycol

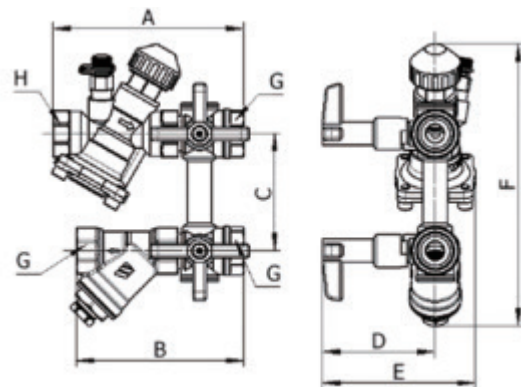
Material

Size	Component	Material	Qty
1	PICV	CW602N	1
2	Strainer	CW602N	1
3	Blue handle	Aluminum	1
4	3-way inlet valve	CW602N	1
5	Bypass	CW602N	1
6	Red handle	Aluminum	1
7	3-way return valve	CW602N	1
8	Insulation	EPP	1



Installation dimensions

DN	DN15	DN20	DN25
A (mm)	128	130	163
B (mm)	102	114	143
C (mm)	80	80	80
D (mm)	77	77	77
E (mm)	105	105	107
F (mm)	183	193	196
G	Internal BSP 1/2"	Internal BSP 3/4"	Internal BSP 1"
H (mm)	110	110	112
J (mm)	142	142	181
K (mm)	194	194	200



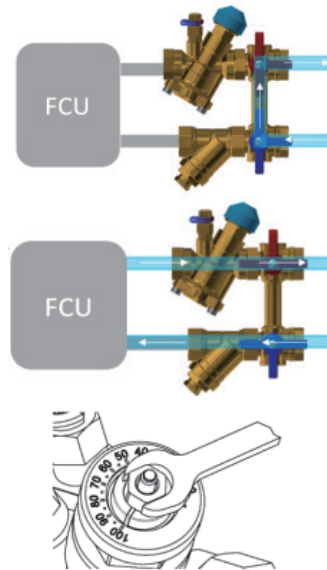
Flushing

a) Flushing main system:

To perform main flush, adjust the both 3-way valves to open bypass position and start the flushing process. This is performed remove impurities and debris which could affect the correct functioning of the unit.

b) Forward flushing / Normal operation:

We suggest performing forward flushing which is similar to normal operation of the system. During normal operating conditions, both the 3-way valves are adjusted to open position to the operating line thereby closing the bypass line. Strainer is placed on the supply line in order to protect the unit from impurities / debris, and the PICV is placed on the return line in order to regulate the flow through the circuit.



Flow Setting

Through the hexagonal at the top of the valve, 10% to 100% of opening can be preset, with the factory default of 100%. This function can not only meet the needs of special users, but also improve the control accuracy.

Flow rate details

Table of Flow Rate with Preset Opening (m³/h)

Opening/ Size	10%	20%	30%	40%	50%	60%	70%	80%	90%	100%
DN15	0.11	0.21	0.30	0.39	0.47	0.56	0.66	0.76	0.90	1.05
DN20	0.11	0.21	0.30	0.39	0.47	0.56	0.66	0.76	0.90	1.05
DN25	-	0.21	0.31	0.60	0.90	1.20	1.50	1.70	2.10	2.50

Accessories



EPP Insulation



Multiple choice of flexible hoses



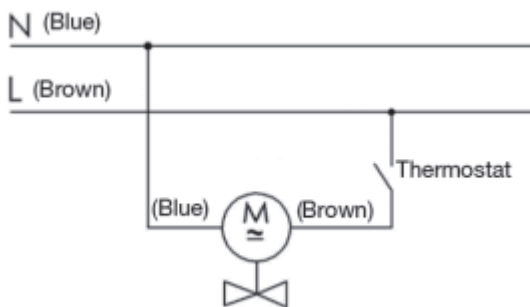
ON/OFF electrothermic actuator



Modulating electronic actuator 0-10V - IP54

Wiring drawings for Actuators

On/Off Type



Modulating Type

